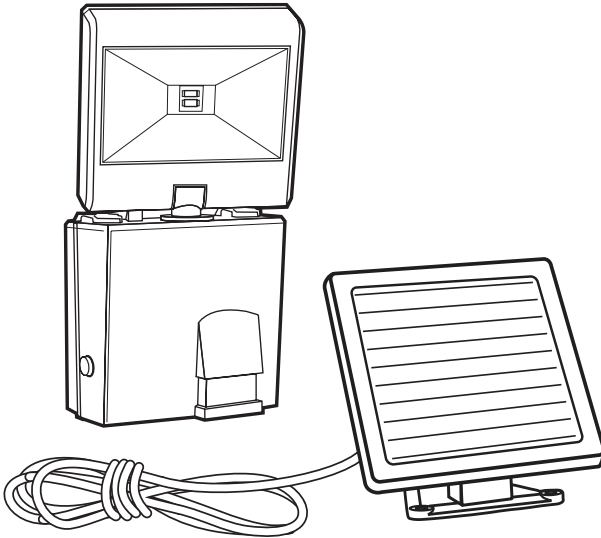


# *solar-powered* LED SECURITY SPOTLIGHT

Model #: 44311

## ASSEMBLY & OPERATING INSTRUCTIONS



### ABOUT YOUR SOLAR POWERED LED SECURITY SPOTLIGHT

During the day, the solar panel included with this MAXSA Solar Security Spotlight converts sunlight into electricity, recharging the pre-installed batteries. Using this stored energy, the two, super-bright LEDs turn on automatically at night when motion is detected. These LEDs have an estimated life of 30,000 hours so they should not need to be changed.

This Solar Powered LED Security Spotlight has an adjustable TIME dial that allows light duration of up to 60 seconds. When the batteries are fully charged, this Solar Security Light can light up for up to 120 minutes, which is equivalent to 120 one-minute cycles when the TIME dial is set to the maximum (+) position.

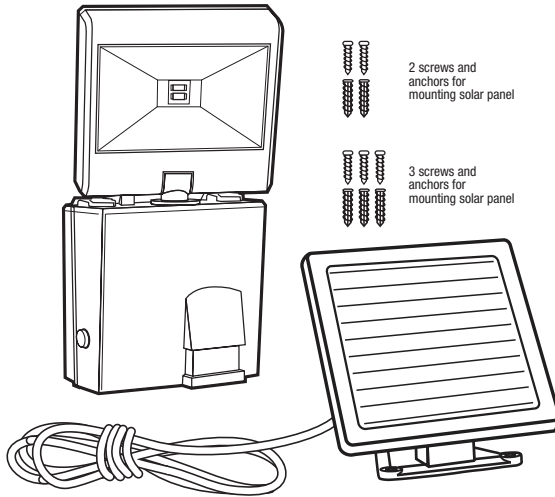
The Solar Powered LED Security Spotlight has a built-in motion sensor, which automatically turns on the light when movement of a heat source (such as people, animals, or cars) is detected in the area. The light remains on while motion continues to be detected in the area.

The Solar Powered LED Security Spotlight has a LUX setting which can be adjusted to control the functioning of the built-in photosensor so that the light only turns on at night.

The batteries included in this unit are 3 AA rechargeable batteries and will need to be replaced when the charging ability is decreased. The batteries should last for approximately 3 years before they will need to be replaced. The shorter the time period used, the longer the battery will last. The Solar Powered LED Security Spotlight may function irregularly or not at all at temperatures near or below freezing (32° F/0° C) due to the functionality of Ni-MH rechargeable batteries. Normal operation will return when the temperature rises.

## INCLUDED PARTS:

Carefully remove and identify all the parts from their protective packaging and lay them out in front of you.



Adjustment dials are located on the underside of the main body. They are denoted by TIME and LUX stamps.

## CHOOSING A LOCATION FOR YOUR SOLAR SECURITY LIGHT:

This Solar Security Light comes complete with a solar panel attached to a 10 foot power cord. For optimum sun exposure and longer light output, place the solar panel in a position that receives at least 6-8 hours of direct sunlight per day. Placing the solar panel in a shaded location or even behind a window will not allow the batteries to charge fully, reducing the number of hours the light will operate per evening. Ensure that the solar panel is not placed near night time light sources such as porch lighting or street lighting.

This Solar Security Light is ideal for lighting up areas where electricity is not available — including porches, driveways, carports outside, garages and entrance areas – for safety and security around your home.

When deciding where to mount the light, keep in mind that the motion sensor has a field of vision of 120° (horizontal) at a distance of up to 26 feet when the surrounding temperature is 75F. The outside temperature will impact the detection distance

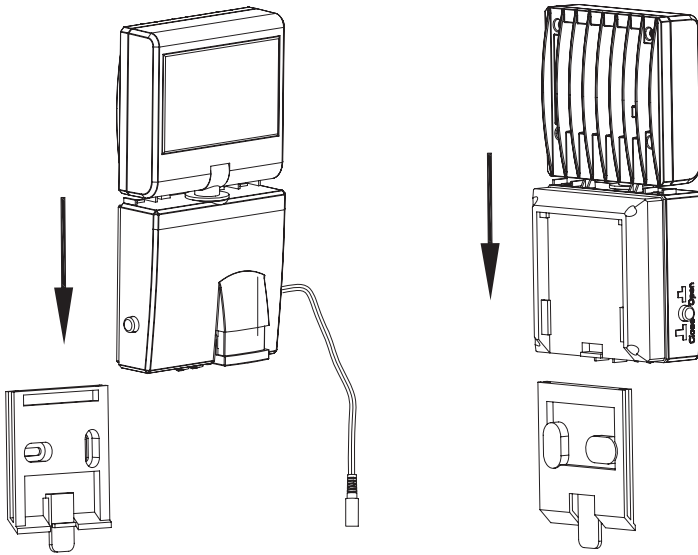
## HOW TO INSTALL YOUR SOLAR SECURITY LIGHT:

### TOOLS REQUIRED FOR INSTALL

You only need a Phillips head screwdriver, however if you want to mount into harder surfaces like cement, concrete, or brick, you will want to pre-drill holes.

Mount the Security Light onto a solid surface, using the two (2) wood/sheet metal screws supplied. You may mount the Security Light either vertically or horizontally.

## TO INSTALL THE MOUNTING BRACKET



1. Remove the mounting bracket from the back of the light.
2. Align the mounting bracket on the wall and mark the locations of the two holes to be drilled with a pencil. Remove the mounting bracket from the wall.
3. Drill pilot holes for screws if needed. Screw anchors should be used for cement, brick, or similar surfaces.
4. Align the mounting bracket on the wall and install the two screws using a screwdriver.
5. Slide the mounting bracket back on the unit..

Use the three (3) wood/sheet metal screws supplied to mount the solar panel onto a solid surface. You can adjust the angle of the solar panel by gently rotating the solar panel to a different locking position. Remember to face the panel south for direct sunlight exposure.

## BEFORE FIRST USE OF YOUR SOLAR SECURITY LIGHT:

The purpose of the following steps is to ensure the battery in the light is fully charged.

1. Mount the light using the Steps listed in "How to Install Your Solar Security Light" on Page 2.
2. Check to make sure the solar panel power cable is tightly connected to the light power cable.
3. Ensure the power switch on the main body of your Security Light is in the OFF position. In this position, the solar panel will charge the battery without activating the unit.
4. Leave the switch in the OFF position for 3 days with the solar panel placed in direct sunlight.

## OPERATING YOUR SOLAR SECURITY LIGHT

After the initial 3 day charge of your Solar Security Light, move the switch on the main body to the ON position. Your Solar Security Light is now ready for use.

Underneath the motion sensor, there are 2 adjustment dials: TIME and LUX.

The light has been factory preset as follows:

TIME - Set at 30 seconds.

LUX - Set for your Security Light to activate at dusk when motion is detected.

If the above settings are not suitable for your application, then these may be adjusted using a flathead screwdriver and the steps below.



### TIME PERIOD ADJUSTMENT

The time period control dial sets the duration that the Solar Security Light will remain illuminated after the last detected motion. The time period has an adjustable range of 10 seconds to 1 minute.

To decrease the time period, move the dial toward the ( - ) symbol.

To increase the time period, move the dial toward the ( + ) symbol.

Test the time period by triggering the motion sensor and measure the time period the light stays on. Adjust the TIME control until the desired illumination duration is reached.

A shorter TIME setting will conserve battery life. For best results, use the shortest TIME setting for your location as possible.

### LIGHT LEVEL ADJUSTMENT

The LUX dial controls the natural light level that triggers the Dual Head LED Security Spotlight and prevents it from operating during daylight hours. Your Dual Head LED Security Spotlight comes preset for activation at dusk.

To adjust for activation before dusk, move the dial toward bright (☀).

To adjust for activation after dusk, move the dial toward dark (🌙).

## MAINTENANCE TIPS:

The LED lights in your Solar Powered LED Security Spotlight will last up to 30,000 hours and should never need replacement.

To keep your Solar Security Light looking best, keep the lens and solar panel free of dust and deposits by wiping occasionally with a dry cloth or with warm soapy water.

It is important that the solar panel is kept free of dirt and debris at all times. A dirty solar panel will not allow the batteries to be fully charged. This will shorten the life of the batteries and may cause the light to malfunction.

## COLD WEATHER FUNCTIONALITY

In temperatures below 20°F, performance of Ni-MH batteries may be reduced. Normal performance will return when the temperature rises.

## SAFETY TIPS

Do not immerse the Solar Powered LED Security Spotlight in water or other liquid.

### STORAGE

If you wish to store your light indoors for more than two or three days, turn the power switch to the OFF position and remove the batteries to prevent damage to the batteries. Battery capacity may be reduced or damaged during prolonged storage.

## TROUBLESHOOTING:

PROBLEM	POSSIBLE SOLUTIONS
<p>Light will not switch on when there is movement in the detection area.</p>	<ul style="list-style-type: none"> <li>• Ensure that the power button on the main body is in the ON position.</li> <li>• Ensure that the Solar Security Light has been positioned so the motion sensor faces oncoming movement.</li> <li>• Ensure that the battery has been fully charged in direct sunlight for 3 sunny days. Refer to the "Before First Use of Your Solar Security Light" section on page 3.</li> <li>• Check to see that the solar panel is facing south so that it receives direct sunlight for most of the day, enabling the battery to fully charge.</li> <li>• Check to see that the LUX control has not been set too far towards the moon symbol. Setting the LUX control too far towards dark (☾) will cause the Solar Security Light to turn on only in complete darkness.</li> <li>• Check to see that the motion sensor is not near night time light sources such as street lights.</li> <li>• If the Lights works initially and then stops working, it may be that the battery is run down and just needs to be recharged by the sun. You may want to use a shorter time setting.</li> </ul>
<p>Light switches on during the day</p>	<ul style="list-style-type: none"> <li>• The LUX control may be set too far towards the light (☀) position.</li> <li>• Reposition the Solar Security Light so the motion sensor faces a different direction.</li> </ul>
<p>Light switches on for no apparent reason</p>	<ul style="list-style-type: none"> <li>• Moving trees, traffic, pets or birds may be getting in the area of detection. This may be unavoidable; however the sensor could be redirected to a height where this is less likely to occur.</li> <li>• If there are reflective objects in the detection area such as windows, water, or white walls, you may need to redirect or possibly reposition the motion sensor.</li> <li>• Test the motion sensor by covering it completely with cardboard and waiting several minutes to make sure it does not detect motion. If the light still switches on, please contact MAXSA for further assistance.</li> </ul>
<p>Light quickly flashes on and off.</p>	<ul style="list-style-type: none"> <li>• Battery charge may be low. Turn the power switch to the OFF position and charge the batteries for three (3) sunny days with the solar panel placed in direct sunlight.</li> <li>• Move the LUX control more to the dark (☾) position.</li> <li>• Lower the time the lights stay on for to use less battery power.</li> </ul>
<p>Light is not as bright as normal</p>	<ul style="list-style-type: none"> <li>• Battery charge may be low. Turn the power switch to the OFF position and charge the batteries for three (3) sunny days with the solar panel placed in direct sunlight.</li> </ul>

## REPLACING THE BATTERIES:

When the charging ability of the batteries decreases, you can replace the batteries with 3 new AA rechargeable batteries. Follow the steps below when replacing the battery.

1. First push the power button to turn the light off.
2. Remove the Solar Powered LED Security Spotlight from its mounted back.
3. Remove the four screws at the back of the Security Spotlight and remove the back cover
4. Carefully remove the old batteries from the battery tray by hand and replace with three (3) new AA Ni-MH 1.2V rechargeable batteries. Ensure that the new batteries are inserted in the correct +/- polarity orientation as indicated in the battery compartment. (WARNING: Installing the batteries in the opposite direction could damage the unit.)
5. Replace the back cover onto the Security Spotlight using the four screws.
6. Slide the light back into the mounted back.
7. Repeat the steps in the "Before first time use of your Solar Security Light" section on page 3 to ensure your new batteries are fully charged.

NOTE: DO NOT DISPOSE OF BATTERIES IN GENERAL HOUSEHOLD TRASH OR INTO A FIRE SINCE THE BATTERIES MAY EXPLODE. CONSULT YOUR LOCAL REGULATIONS FOR CORRECT DISPOSAL OF BATTERIES. THE BATTERIES MAY ALSO BE RETURNED TO MAXSA INNOVATIONS AT 8412 CATHEDRAL FOREST DR., FAIRFAX STATION, VA 22039. DO NOT TAKE APART THE BATTERIES SINCE THEY CONTAIN CORROSIVE CHEMICALS.

## EXTENSION CORDS:

A 15-foot extension cord is available for this product for \$14.95 (includes shipping and handling). This extension cord allows the solar panel to be placed higher or further away from the security light to ensure maximum direct sunlight exposure. For more information, please call 703-495-0661.

## ONE YEAR LIMITED WARRANTY

MAXSA Innovations, LLC warrants to the original consumer/purchaser that this product shall be free of defects in material and workmanship under normal use and circumstances for a period of one (1) year from the date of original purchase for use. When the original consumer/purchaser returns the product pre-paid (consumer pays return shipping) to MAXSA Innovations, LLC, 8412 Cathedral Forest Dr, Fairfax Station, VA 22039; USA within the warranty period, and if the product is defective, MAXSA Innovations, LLC will at its option repair or replace such. This warranty shall constitute the sole liability of MAXSA Innovations, LLC concerning the product. MAXSA Innovations, LLC expressly disclaims all other warranties INCLUDING, WITHOUT LIMITATION, THE WARRANTIES OF MERCHANTABILITY AND FITNESS FOR A PARTICULAR PURPOSE. NO PERSON, FIRM, OR CORPORATION IS AUTHORIZED TO ASSUME FOR MAXSA Innovations, LLC ANY OTHER LIABILITY IN CONNECTION WITH THE SALE AND USE OF THE PRODUCT. MAXSA Innovations, LLC and agents and distributors will bear no liability whatsoever for incidental or consequential damages or charges of any kind. Some states do not allow the reclusion or limitation of incidental or consequential damages, so the above disclaimer regarding incidental or consequential damages may not apply to you. This warranty is void if the product has been damaged or tampered with or if the product or any such parts have been opened. In all cases of damage during shipment, a claim must be filed with the shipping carrier and not with MAXSA Innovations, LLC. This warranty gives you specific legal rights; you may also have other rights which vary from state to state.



**MAXSA Innovations, LLC**  
8412 Cathedral Forest Drive  
Fairfax Station, Va 22039  
Tel: 703-495-0661

[www.maxsainnovations.com](http://www.maxsainnovations.com)  
[info@maxsainnovations.com](mailto:info@maxsainnovations.com)

**MADE IN CHINA**

**Please save these instructions for future reference.**

v13.1  
©2013 MAXSA Innovations, LLC