

BATTERY-POWERED MOTION-ACTIVATED LED Outdoor Wall Sconce

Model # 43319

ASSEMBLY AND INSTRUCTION GUIDE

ABOUT YOUR LED OUTDOOR WALL SCONCE

The *LED Outdoor Wall Sconce* is perfect for porches, doorways, or around the house.

The *LED Outdoor Wall Sconce* has a built-in motion sensor, which automatically turns on the light when movement of a heat source (such as people, animals, or cars) is detected in the area. The light remains on while motion continues to be detected in the area.

The *LED Outdoor Wall Sconce* also has a built-in photosensor so that the light only turns on at night.

The *LED Outdoor Wall Sconce* may function irregularly or not at all at temperatures below 0° F / -17.8° C.

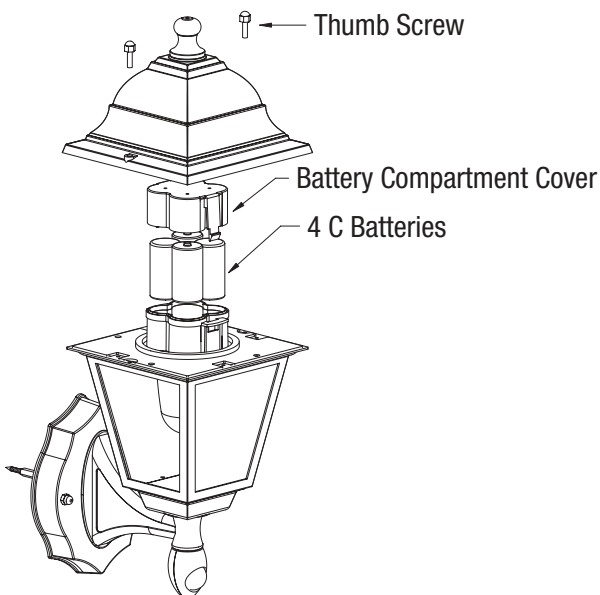
Normal operation will return when the temperature rises.

The *LED Outdoor Wall Sconce* requires 4 C cell batteries (not included). The batteries typically last up to 1 year under normal use.

The 5 super bright LEDs in the *LED Outdoor Wall Sconce* have an estimated life of 30,000 hours so they should never need changing.

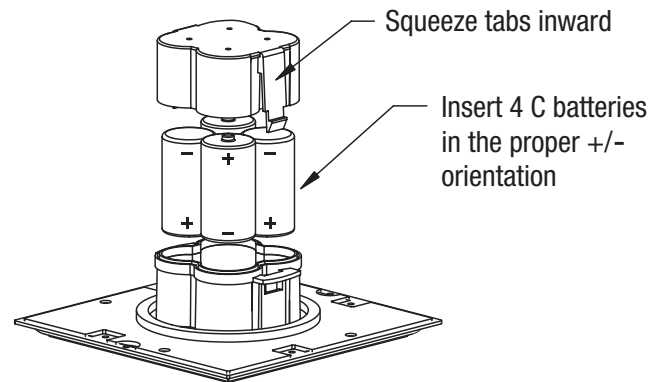
BATTERY INSTALLATION

1. The *LED Outdoor Wall Sconce* requires 4 C cell batteries (not included).
2. To access the battery compartment, remove the 2 thumb screws from the top cover. Remove the top cover.

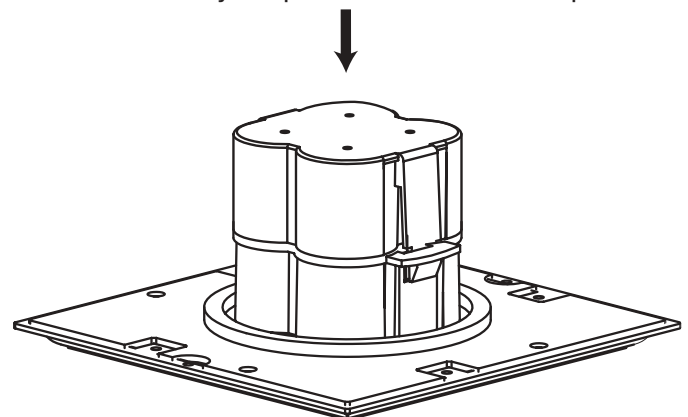


BATTERY INSTALLATION (CONTINUED)

3. Remove the battery compartment cover by squeezing the two tabs on the cover inward and pulling up.



4. Install the 4 C cell batteries in the proper +/- polarity orientation as shown in the illustration above. The positive ends of the batteries should face the low battery contacts and the negative ends of the batteries should face the elevated spring terminals in the battery compartment. If your unit includes a clear rubber spacer between the two halves of the battery compartment, please reinsert it between the two halves.
5. Reinstall the battery compartment cover by aligning the tabs and pressing the battery compartment cover down until the battery compartment cover clicks into place.



6. Reassemble the *LED Outdoor Wall Sconce* by replacing the top cover and re-installing the two thumb screws. Tighten the thumb screws by hand as tightly as possible to ensure a waterproof seal.

BATTERY INSTALLATION (CONTINUED)

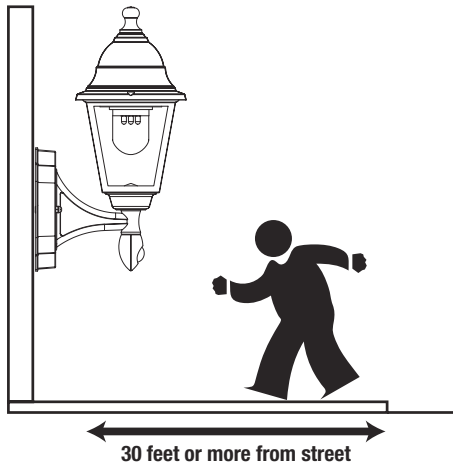
Note: If your *LED Outdoor Wall Sconce* does not turn on after battery installation:

- Make sure the batteries have been inserted matching the correct + / - polarity orientation and are making secure contact with the terminals.
- Make sure you are testing the *LED Outdoor Wall Sconce* in a dark area since the light will only turn on at night.

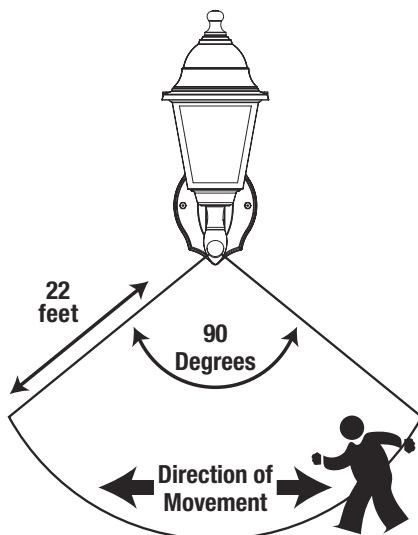
Note: Dispose of old batteries properly, following your local and state regulations. Do not dispose of batteries in regular household refuse or into a fire.

CHOOSING A LOCATION

The selected location should not be near light sources such as street or porch lighting as these may cause the *LED Outdoor Wall Sconce* to turn off automatically. The *LED Outdoor Wall Sconce* should also be installed away from heaters, air conditioners, barbecues, vents, and large reflective surfaces such as swimming pools and jacuzzis, and white walls.



You should also install the *LED Outdoor Wall Sconce* at least 30 feet away from the street since passing cars might activate the light.



CHOOSING A LOCATION, CONTINUED

Ideally, the *LED Outdoor Wall Sconce* should be mounted with the detector at the height of or above the objects to be detected.

The motion sensor has a detection area of about 22 feet (7 meters) within a 100 degree angle of the sensor. The sensor is more sensitive to movement across the detection area than movement directly towards or away from the sensor.

At night, the LED lights will remain on for approximately 30 seconds after the last detected movement. If a movement is detected while the lights are on, the light duration will be reset and remain on for an additional 30 seconds (approximately).

INSTALLING THE MOUNTING BRACKET

The included mounting bracket and screws can be used to mount the *LED Outdoor Wall Sconce* securely to a wall.

To install the mounting bracket:

1. Remove the mounting bracket from the back of the base by unscrewing the two thumb screws on the front of the base.
2. Align the mounting bracket on the wall and mark the locations of the two holes to be drilled with a pencil. Remove the mounting bracket from the wall.
3. Drill pilot holes for screws. Screw anchors should be used for cement, brick, or similar surfaces.
4. Align the mounting bracket on the wall and install the two screws using a screwdriver.

MOUNTING THE LIGHT

1. Align the *LED Outdoor Wall Sconce* on the mounting bracket so that the two bolts go through the two holes on the front of the base.
2. Reinstall the two thumb screws on the front of the base and tighten securely.

USING THE ENERGY SAVING SWITCH

Your *LED Outdoor Wall Sconce* is equipped with an energy-saving switch, located on the right side of the sconce. The switch controls the power output for the sconce. Choose 100% Brightness setting for full brightness, or 50% Brightness setting to conserve battery power.



TROUBLESHOOTING

PROBLEM	POSSIBLE CAUSE	POSSIBLE SOLUTION
Light does not turn on when there is movement in the detecton area.	<ol style="list-style-type: none"> 1. Batteries are old. 2. Nearby lighting is too bright. 3. The light is facing the wrong direction. 	<ol style="list-style-type: none"> 1. Replace the batteries. 2. Install the <i>LED Outdoor Wall Sconce</i> in a different location or facing a different direction, away from other lighting. 3. Install the <i>LED Outdoor Wall Sconce</i> facing the desired detection area.
Light turns on for no apparent reason (false trigger).	<ol style="list-style-type: none"> 1. Heat sources such as air conditioners, vents, barbecues, other outside lighting, or moving cars are false triggering the motion sensor. 2. Pets or other animals are false triggering the motion sensor. 3. Reflections from swimming pools, jacuzzis, white walls, or other large reflective surfaces are false triggering the motion sensor. 	<ol style="list-style-type: none"> 1. Install the <i>LED Outdoor Wall Sconce</i> away from the sources of interference. 2. Mounting the <i>LED Outdoor Wall Sconce</i> higher or facing the light in a different direction may help. 3. Install the <i>LED Outdoor Wall Sconce</i> away from the sources of reflections.
Light turns on during daylight hours.	<ol style="list-style-type: none"> 1. A roof, wall, tree, or other object is casting a shadow on the sensor. 	<ol style="list-style-type: none"> 1. Install the <i>LED Outdoor Wall Sconce</i> in a non-shaded location or facing a direction away from sources of shadows.

SPECIFICATIONS

Batteries Required: 4 C cell alkaline, Ni-MH, or Ni-Cd

LEDs: 5 x 0.075 Watt LEDs

Voltage: 6V DC

Light Duration: approximately 30 seconds

Detection Angle: 90° (cone)

Maximum Detection Distance: 22 feet (7 meters)

Housing Weatherproof Rating: IP33

Circuitry Weatherproof Rating: IP44



MAXSA Innovations
8412 Cathedral Forest Drive
Fairfax Station, VA 22039
Tel: 703-495-0661
www.maxsainnovations.com

MADE IN CHINA

v#Z#
©20# MAXSA Innovations, LLC